

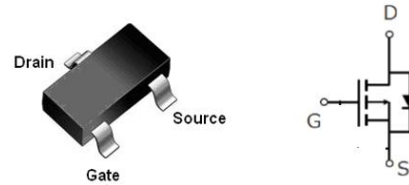
-30V/-4A P Channel Advanced Power MOSFET
Features

- Low $R_{DS(on)}$ @ $V_{GS} = -10V$
- -5V Logic Level Control
- P Channel SOT23 Package
- Pb-Free, RoHS Compliant

$V_{(BR)DSS}$	$R_{DS(ON)}$ Typ	I_D Max
-30V	44m Ω @ -10V	-4A
	51m Ω @ -4.5V	

Applications

- Load Switch
- Switching circuits
- High-speed line driver
- Power Management Functions


SOT23
Order Information

Product	Package	Marking	Packing	Min Unit Quantity
AO3401	SOT23	A19T	3000PCS/Reel	3000PCS

Absolute Maximum Ratings

Stresses exceeding Maximum Ratings may damage the device. Maximum Ratings are stress ratings only. Functional operation above the Recommended Operating Conditions is not implied. Extended exposure to stresses above the Recommended Operating Conditions may affect device reliability.

Symbol	Parameter	Rating	Unit
Common Ratings (TA=25°C Unless Otherwise Noted)			
V_{GS}	Gate-Source Voltage	± 16	V
$V_{(BR)DSS}$	Drain-Source Breakdown Voltage	-30	V
T_J	Maximum Junction Temperature	150	°C
T_{STG}	Storage Temperature Range	-50 to 150	°C
Mounted on Large Heat Sink			
I_{DM}	Pulse Drain Current Tested①	$T_A = 25^\circ C$	-16 A
I_D	Continuous Drain Current	$T_A = 25^\circ C$	-4 A
		$T_A = 70^\circ C$	-3.2 A
P_D	Maximum Power Dissipation	$T_A = 25^\circ C$	1.2 W
		$T_A = 70^\circ C$	0.9 W
R_{JA}	Thermal Resistance Junction-Ambient	80	°C/W

-30V/-4A P Channel Advanced Power MOSFET

Symbol	Parameter	Condition	Min	Typ	Max	Unit
Static Electrical Characteristics @ T_J = 25°C (unless otherwise stated)						
V _{(BR)DSS}	Drain-Source Breakdown Voltage	V _{GS} =0V I _D =-250μA	-30	--	--	V
I _{DSS}	Zero Gate Voltage Drain Current(T _A =25°C)	V _{DS} =-30V, V _{GS} =0V	--	--	-1	μA
	Zero Gate Voltage Drain Current(T _A =125°C)	V _{DS} =-24V, V _{GS} =0V	--	--	-100	uA
I _{GSS}	Gate-Body Leakage Current	V _{GS} =±16V, V _{DS} =0V	--	--	±100	nA
V _{GS(TH)}	Gate Threshold Voltage	V _{DS} =V _{GS} , I _D =-250μA	-0.5	-0.8	-1.2	V
R _{DS(ON)}	Drain-Source On-State Resistance②	V _{GS} =-10V, I _D =-4A	--	44	60	mΩ
R _{DS(ON)}	Drain-Source On-State Resistance②	V _{GS} =-4.5V, I _D =-3A	--	51	65	mΩ
R _{DS(ON)}	Drain-Source On-State Resistance②	V _{GS} =-3.3V, I _D =-3A	--	58	80	mΩ
Dynamic Electrical Characteristics @ T_J = 25°C (unless otherwise stated)						
C _{iss}	Input Capacitance	V _{DS} =-15V, V _{GS} =0V, f=1MHz	--	655	--	pF
C _{oss}	Output Capacitance		--	65	--	pF
C _{rss}	Reverse Transfer Capacitance		--	53	--	pF
Q _g	Total Gate Charge	V _{DS} =-15V I _D =-4A, V _{GS} =-4.5V	--	7.2	--	nC
Q _{gs}	Gate Source Charge		--	1.5	--	nC
Q _{gd}	Gate Drain Charge		--	2.6	--	nC
Switching Characteristics @ T_J = 25°C (unless otherwise stated)						
t _{d(on)}	Turn on Delay Time	V _{DD} =-15V, I _D =-2A, R _G =3.3Ω, V _{GS} =-10V	--	7	--	ns
t _r	Turn on Rise Time		--	3.8	--	ns
t _{d(off)}	Turn Off Delay Time		-	35	--	ns
t _f	Turn Off Fall Time		--	10.5	--	ns
Source Drain Diode Characteristics						
I _{SD}	Source drain current(Body Diode)	T _A =25°C	--	--	-2	A
V _{SD}	Forward on voltage②	T _J =25°C, I _{SD} =-4A, V _{GS} =0V	--	-0.88	-1.2	V

Notes:

- ① Pulse width limited by maximum allowable junction temperature
 ② Pulse test ; Pulse width 300 μs, duty cycle 2%.

Typical Characteristics

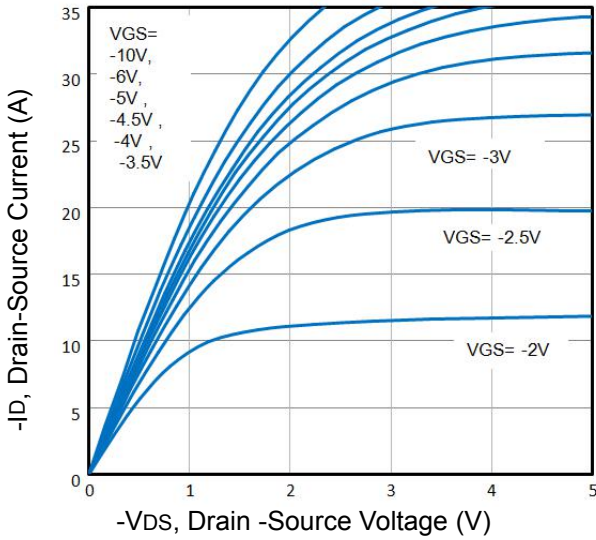


Fig1. Typical Output Characteristics

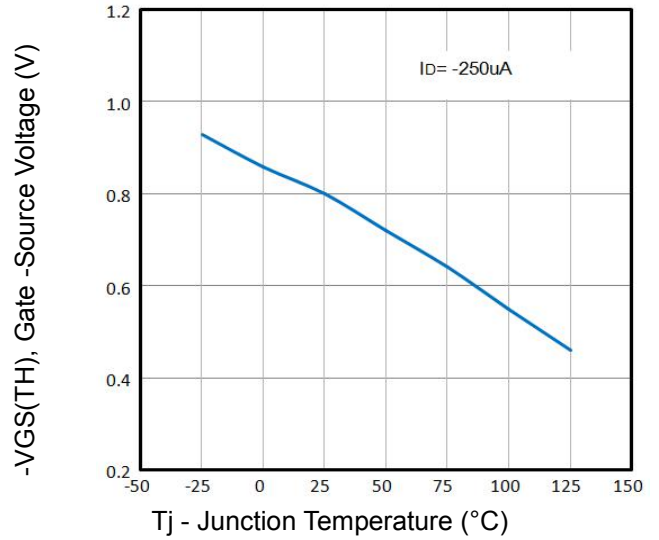


Fig2. Normalized Threshold Voltage Vs. Temperature

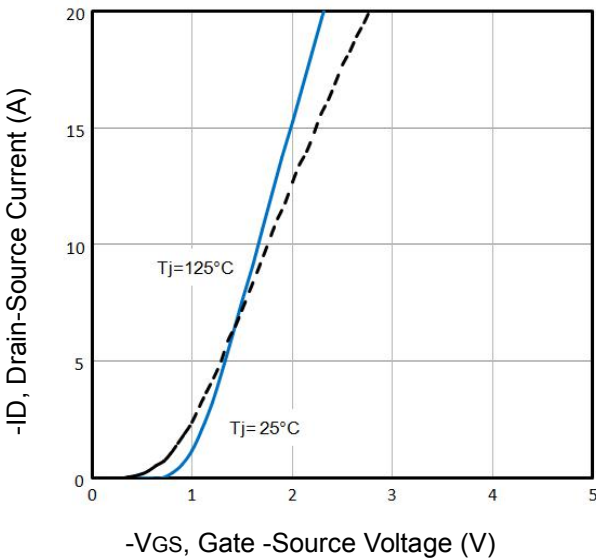


Fig3. Typical Transfer Characteristics

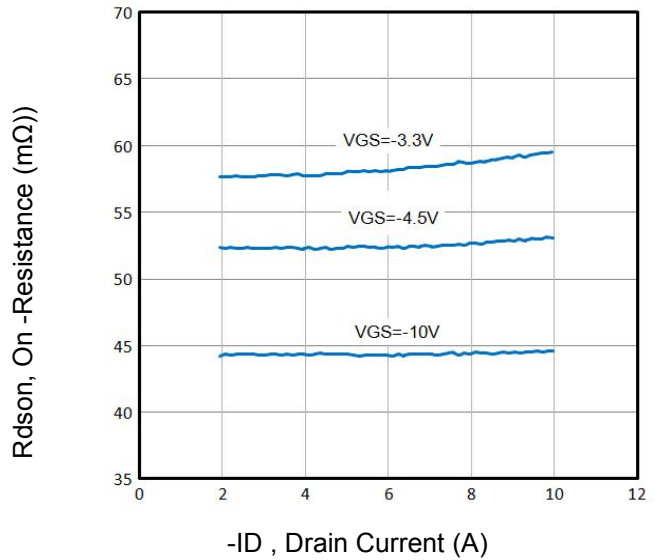


Fig4. On-Resistance vs. Drain Current and Gate

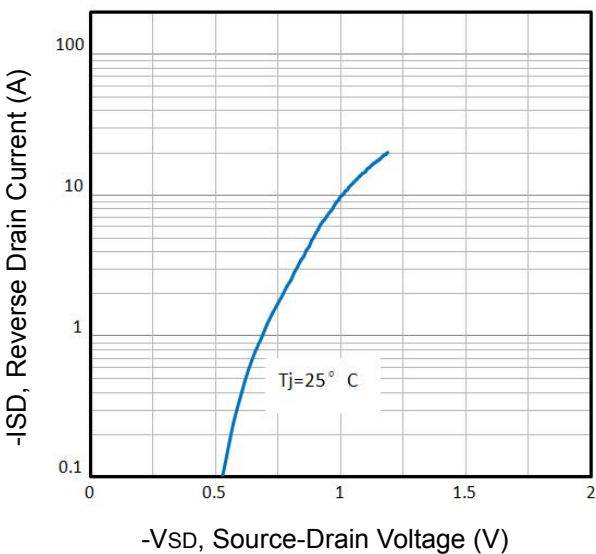


Fig5. Typical Source-Drain Diode Forward Voltage

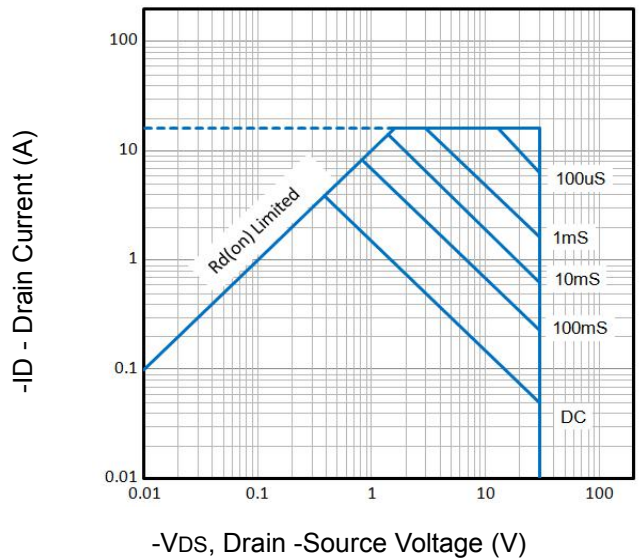


Fig6. Maximum Safe Operating Area

Typical Characteristics

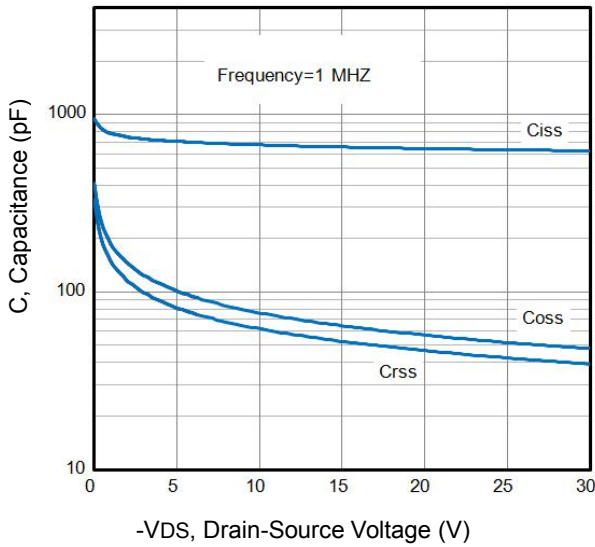


Fig7. Typical Capacitance Vs. Drain-Source Voltage

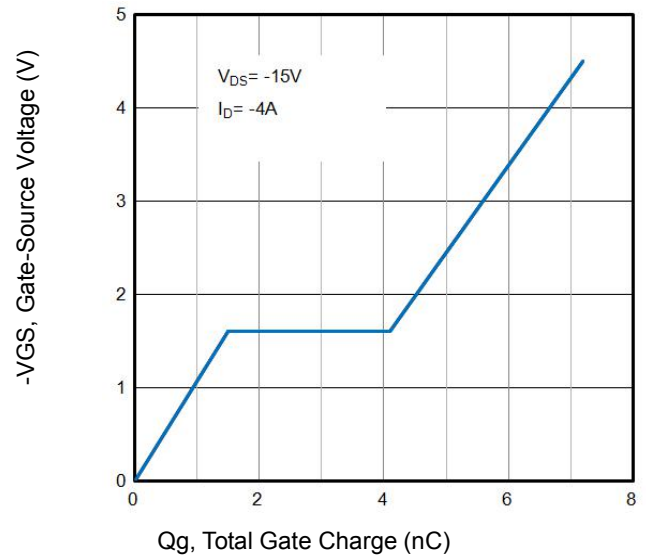


Fig8. Typical Gate Charge Vs. Gate-Source Voltage

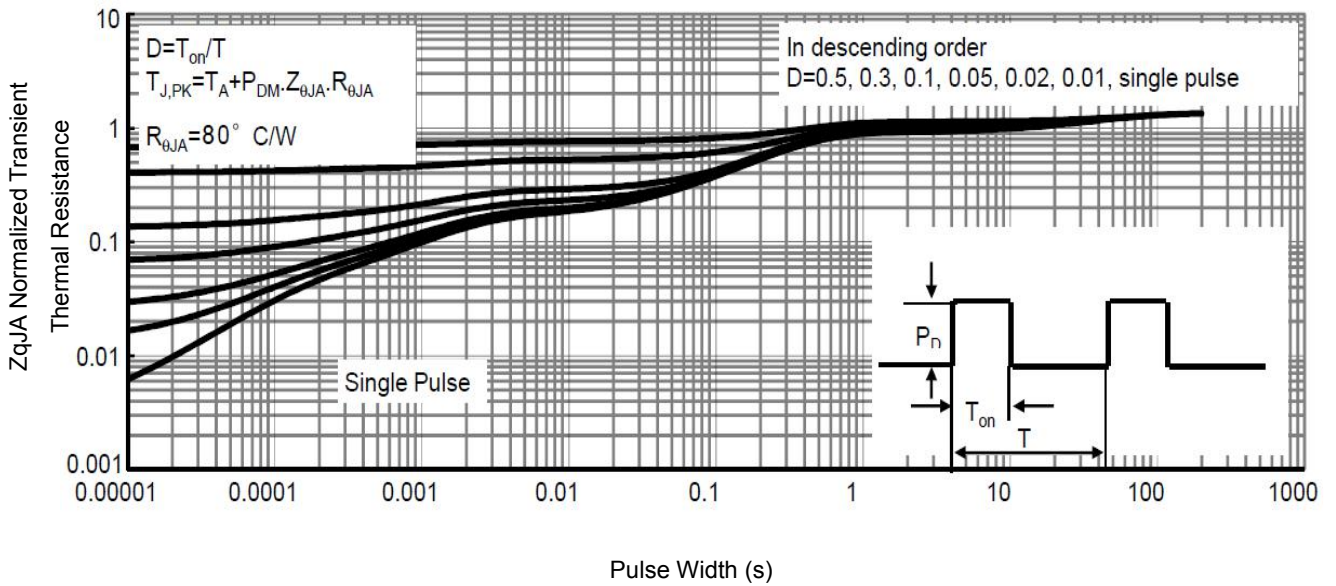


Fig9. Normalized Maximum Transient Thermal Impedance

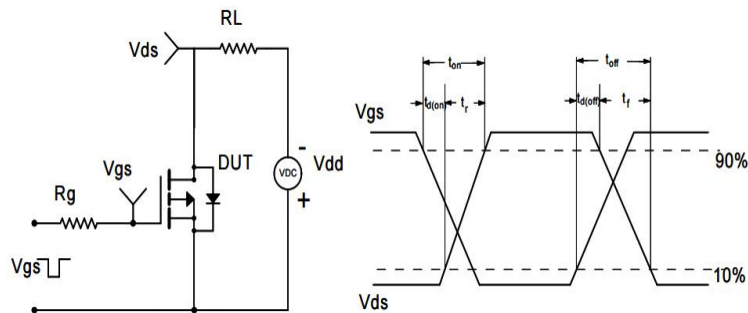
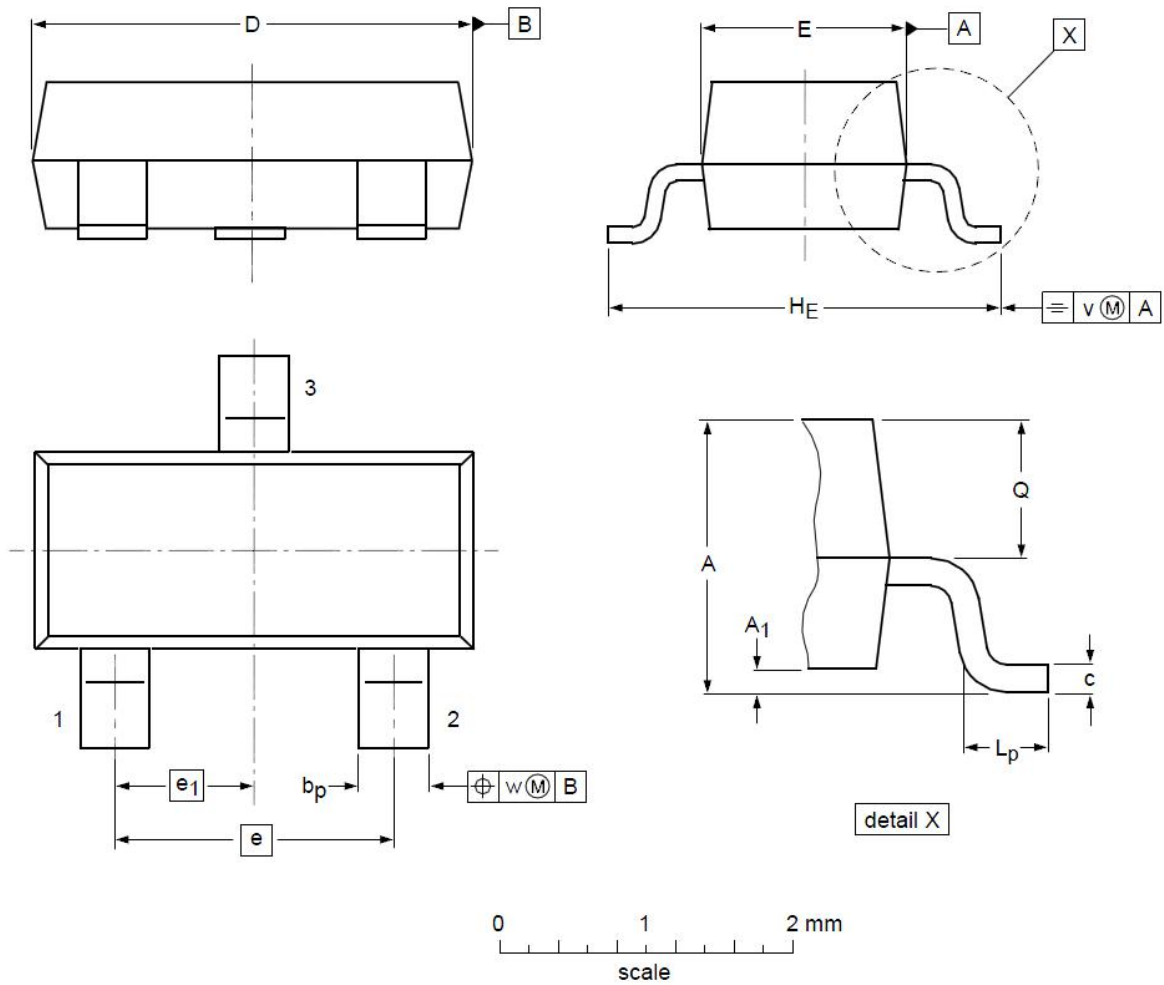


Fig10. Switching Time Test Circuit and waveforms

SOT23 Mechanical Data



DIMENSIONS (unit : mm)

Symbol	Min	Typ	Max	Symbol	Min	Typ	Max
A	0.90	1.01	1.15	A ₁	0.01	0.05	0.10
b _p	0.30	0.42	0.50	c	0.08	0.13	0.15
D	2.80	2.92	3.00	E	1.20	1.33	1.40
e	--	1.90	--	e ₁	--	0.95	--
H _E	2.25	2.40	2.55	L _p	0.30	0.42	0.50
Q	0.45	0.49	0.55	v	--	0.20	--
w	--	0.10	--				